

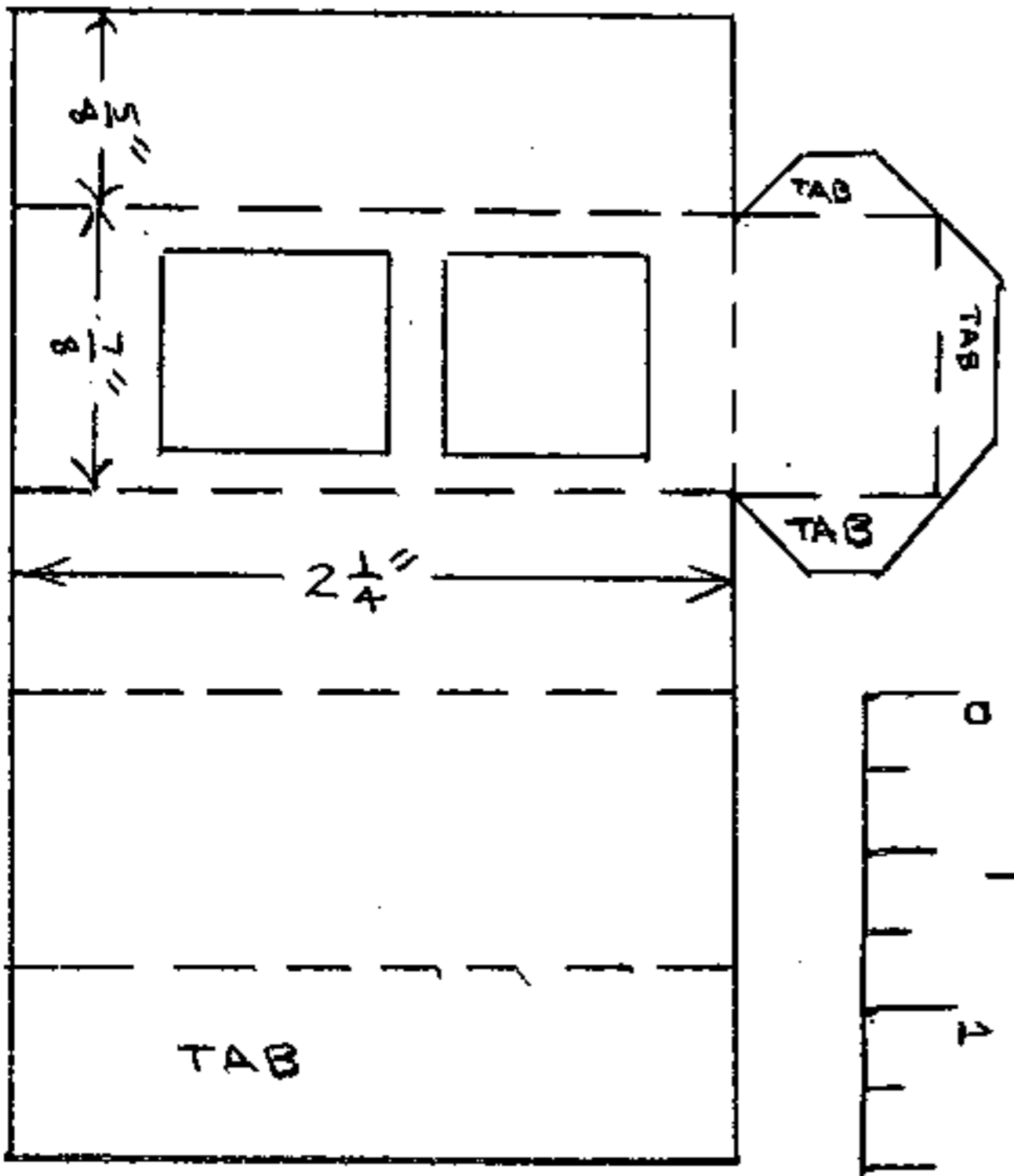
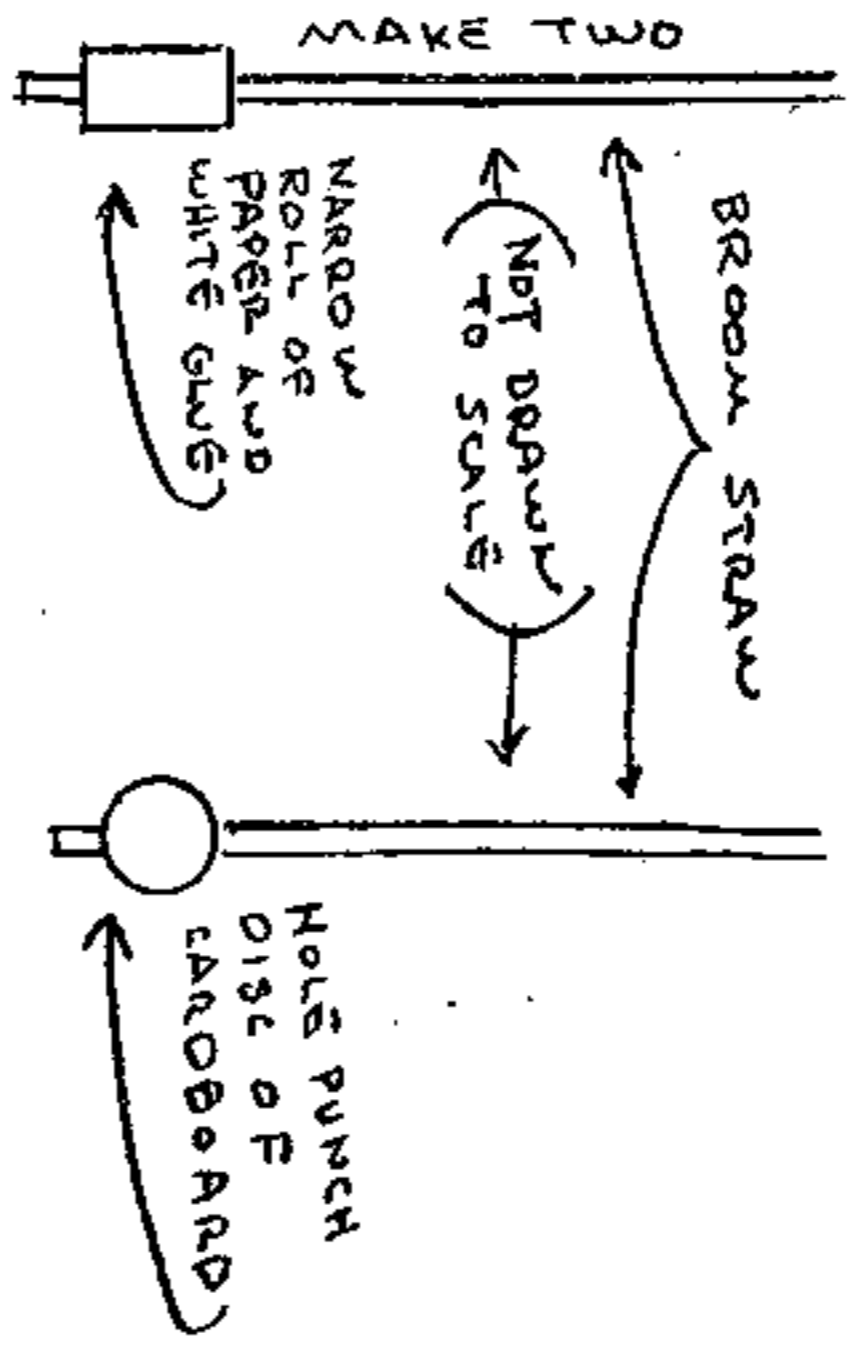
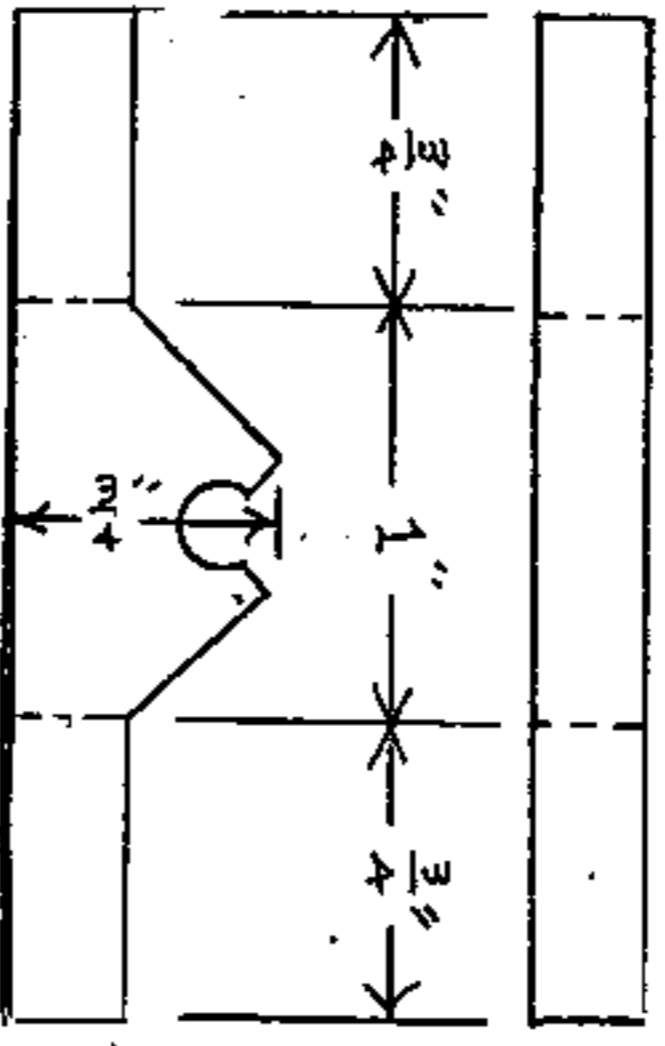
**2025 PROJECT NO. 6 - SANTA WITH GRANDFATHER CLOCK**

**PATTERN SHEET 1 OF 1**

THIS PATTERN PROVIDED FOR YOUR PERSONAL, NON-COMMERCIAL USE.

*Howard J. Ramsey 4-2025*

TRIM SIDES FLUSH WITH BACK



3 1/4" X 2 1/4" OVAL BASE  
 3 LAYERS EXPRESS MAIL BOX  
 CORRUGATED CARDBOARD  
 EDGE Banded WITH STRIP  
 OF MANILA FOLDER  
 OR CANDY STOCK

